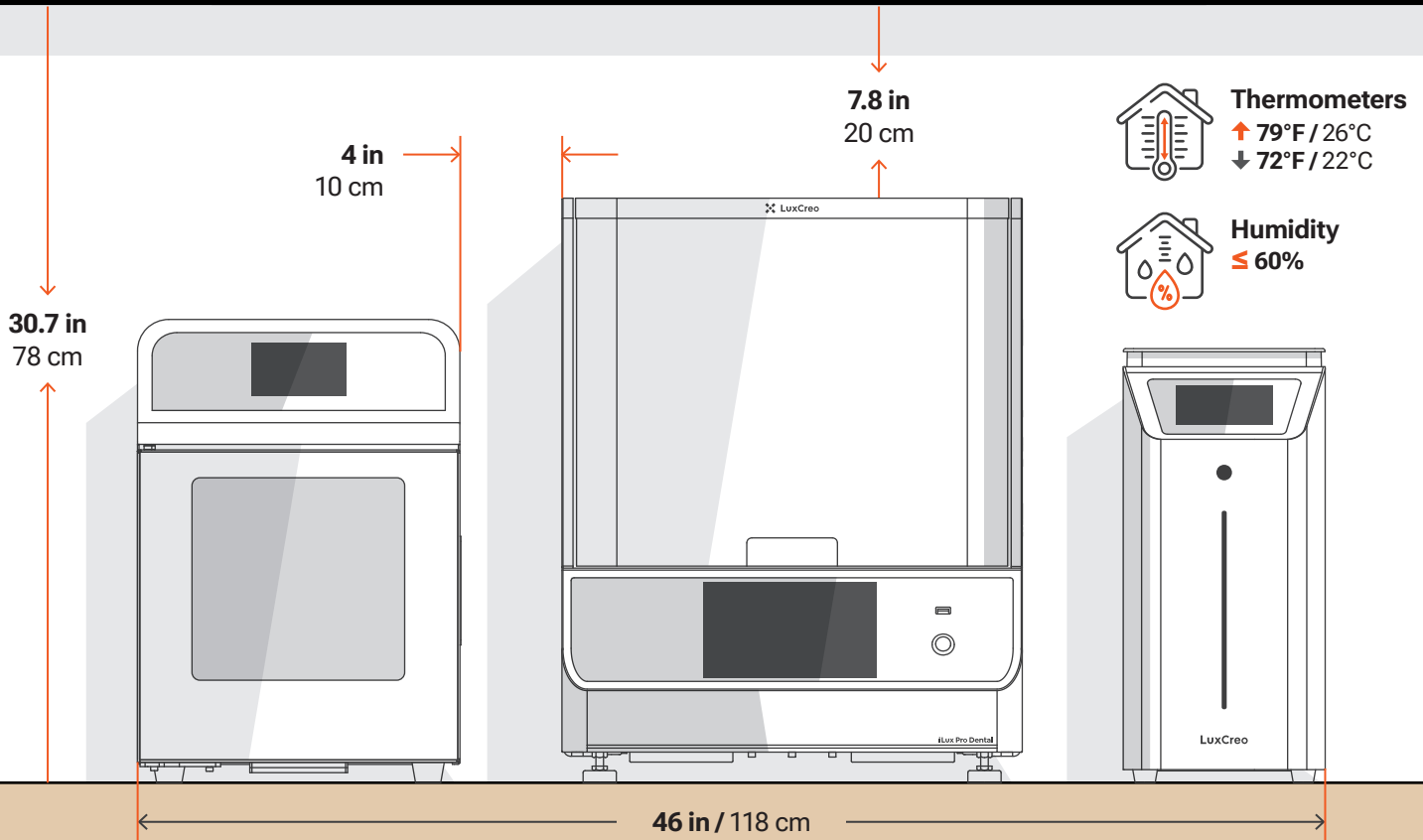




**LuxCreo**  
Simplify Digital Dentistry



- ✓ Level surface
- ✓ Well ventilated area
- ✓ Within recommended temperature and humidity
- ✓ Away from direct sunlight
- ✓ Properly spaced from each other
- ✓ Properly spaced from other equipment

## LuxCreo iLux Pro Dental Solution Workspace Requirements

Rev 1.0 2023/06/07

## Best Practices

Situate iLux Pro Dental in a well-ventilated area on a leveled surface. Keep it away from extreme temperatures, windows, bright UV light sources, and direct sunlight. Do not place anything on top of iLux Pro Dental.

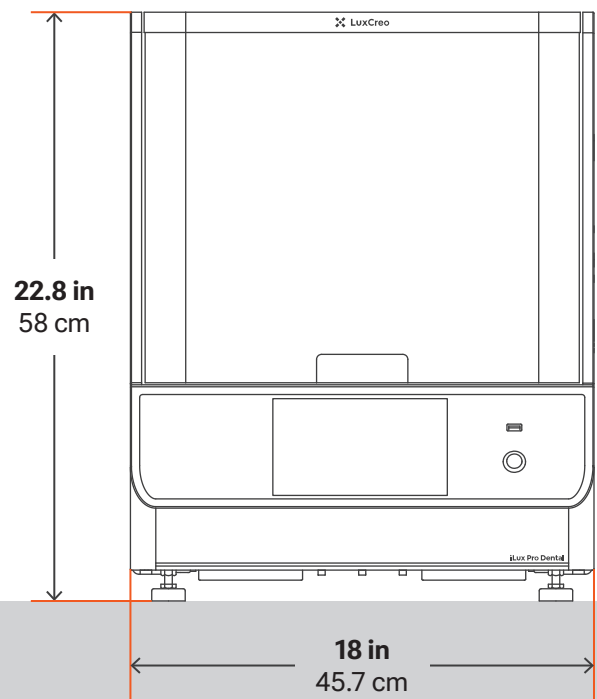
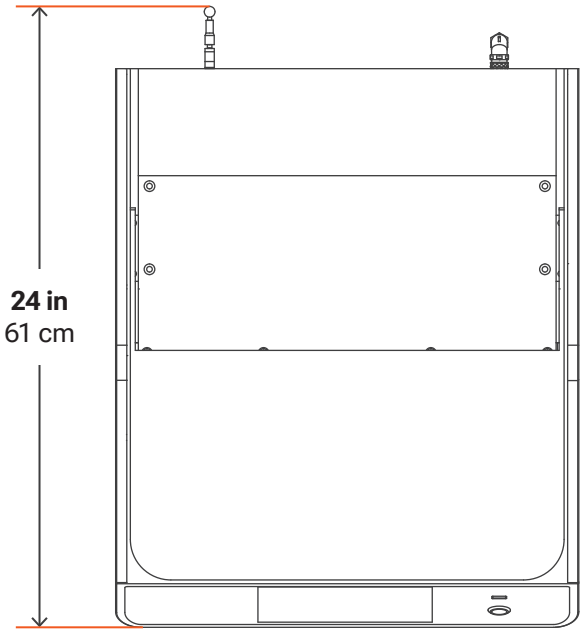
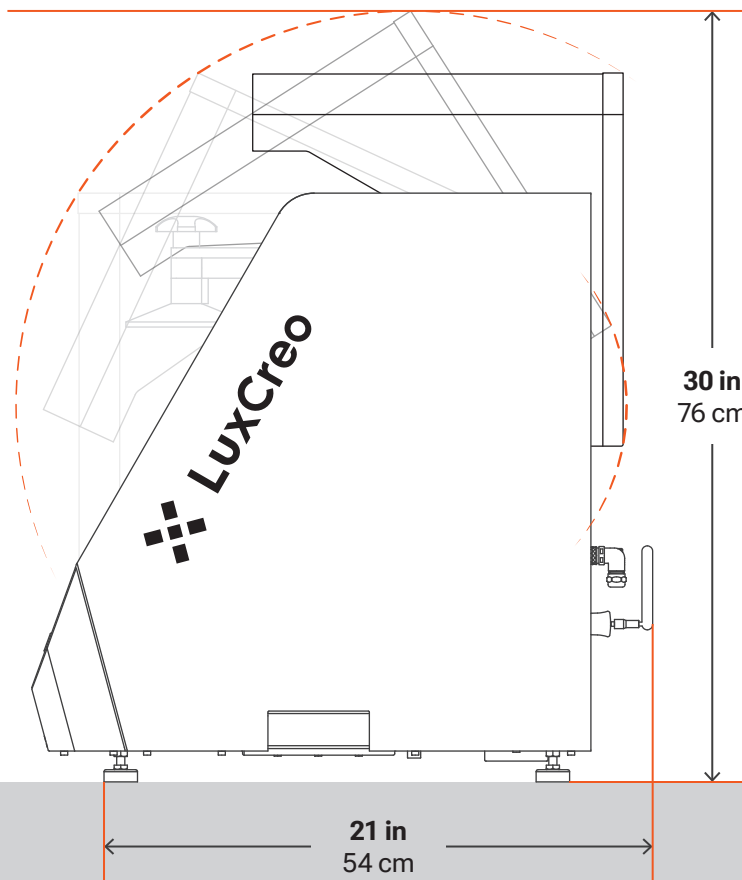
## Suggested Operating Environment

- **Temperature**  
72-79°F (22-26°C)
- **Humidity (RH)**  
≤60%
- **Power Requirement**  
Adapter Input Voltage: 100-240 VAC, 50/60 Hz  
Power Supply: 19Vdc/13.15A
- **3D Printer Uncrated Weight**  
35.5kg (78.3 lbs)



# Critical!

Clearance for easy opening.  
Avoid sharing multiple electronics on the same circuit.



# iLux Pro Dental 3D Printer

## Install Guide

## Best Practices

Situate iLuxWash Dental in a well-ventilated area on a leveled surface. Keep it away from extreme temperatures, windows, bright UV light sources, and direct sunlight. Do not place anything on top of iLuxWash Dental.

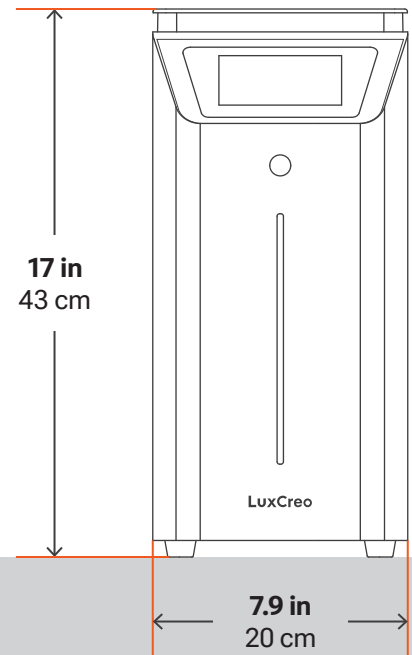
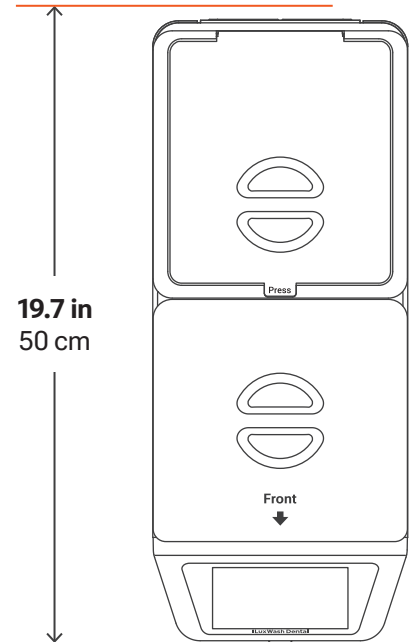
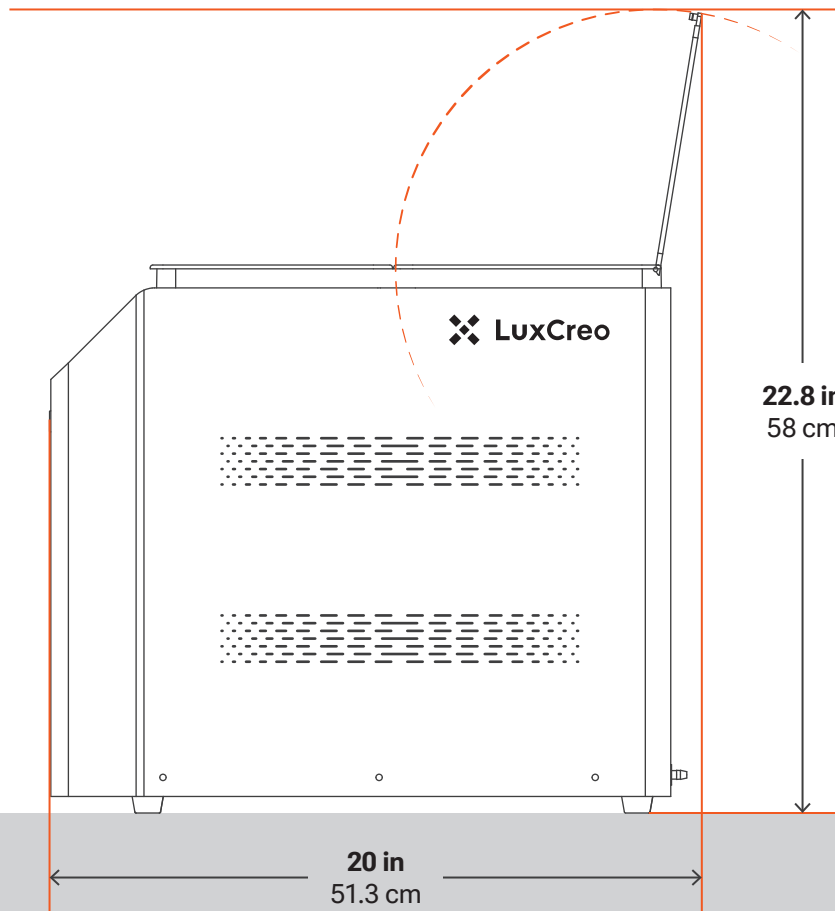
## Suggested Operating Environment

- **Temperature**  
72-90°F (22-32°C)
- **Humidity (RH)**  
<80%
- **Power Requirement**  
AC Input: 100-120 VAC, 50/60 Hz, 150W  
200-240 VAC, 50/60 Hz, 150W
- **Uncrated Weight**  
17.5 kg (38.6 lbs)



# Critical!

Clearance for easy opening.



# iLuxWash Dental

## Install Guide

## Best Practices

Situate iLuxCure Pro in a well-ventilated area on a leveled surface. Keep it away from extreme temperatures, windows, bright UV light sources, and direct sunlight.

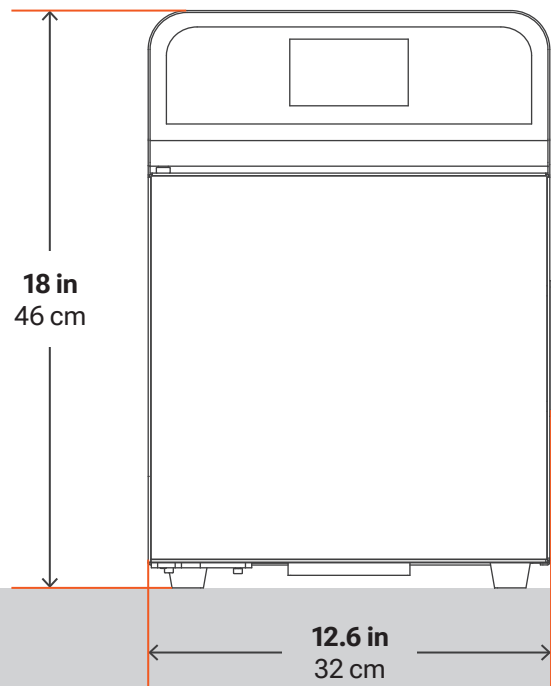
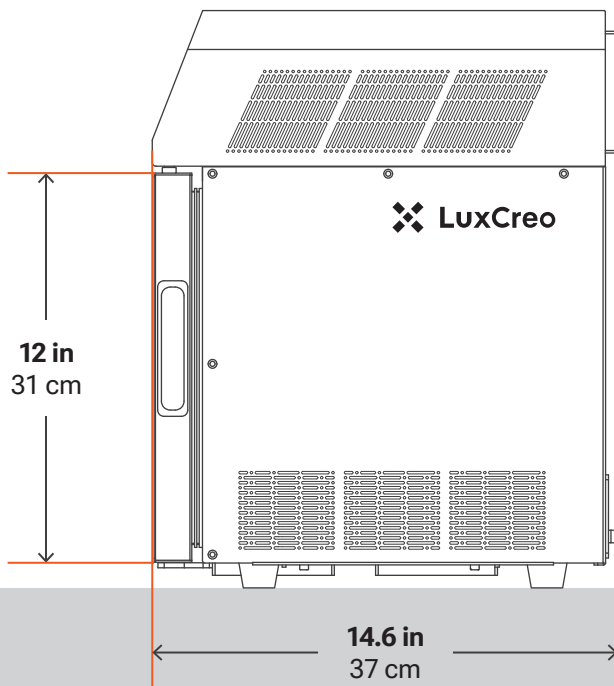
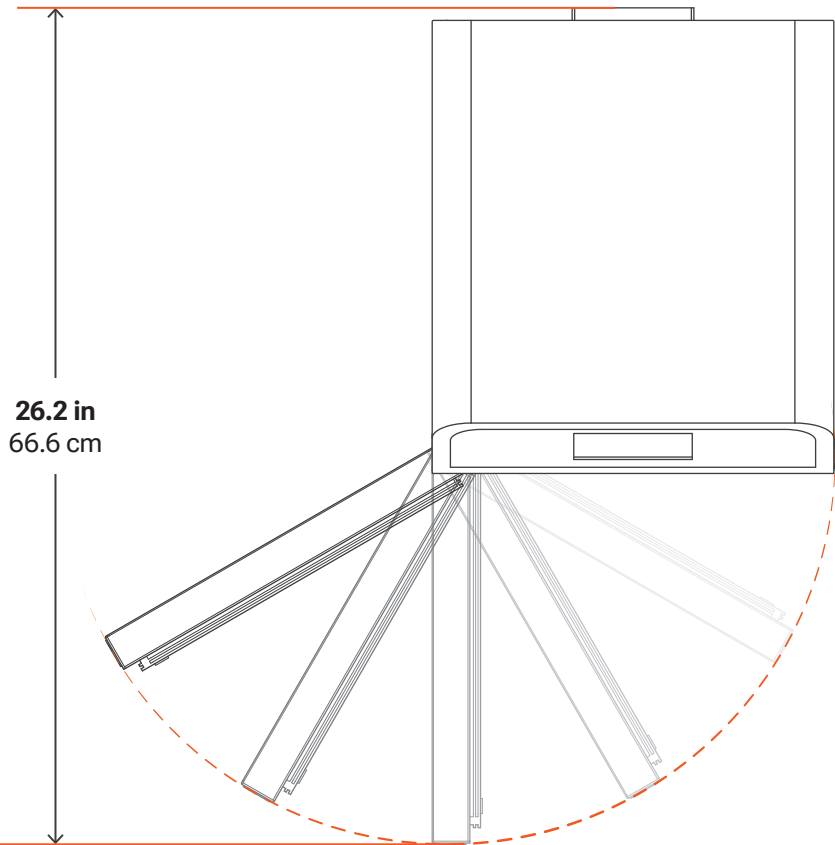
## Suggested Operating Environment

- **Temperature**  
72-90°F (22-32°C)
- **Humidity (RH)**  
<80%
- **Power Requirement**  
AC Input: 100-120 VAC, 50/60 Hz, 9 A  
200-240 VAC, 50/60 Hz, 4.5A
- **Uncrated Weight**  
18 kg (39.7 lbs)



# Critical!

Clearance for easy opening.



# iLuxCure Pro

## Install Guide